



FEATURES

- **Wide frequency coverage**
- **Compatible with Panther 8100, Panther 9100 and Keysight PNA receivers**
- **Includes directional coupler for RF path**
- **Fundamental mixing up to 20 GHz**

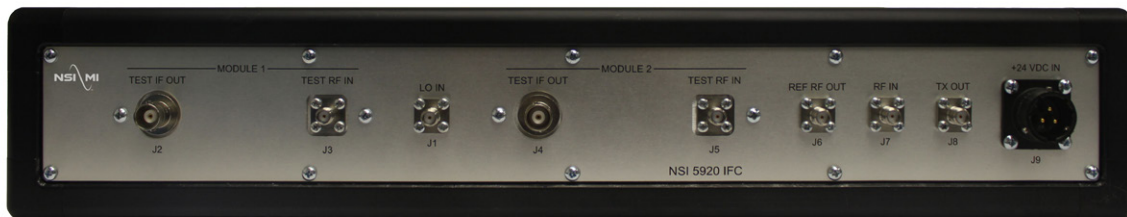
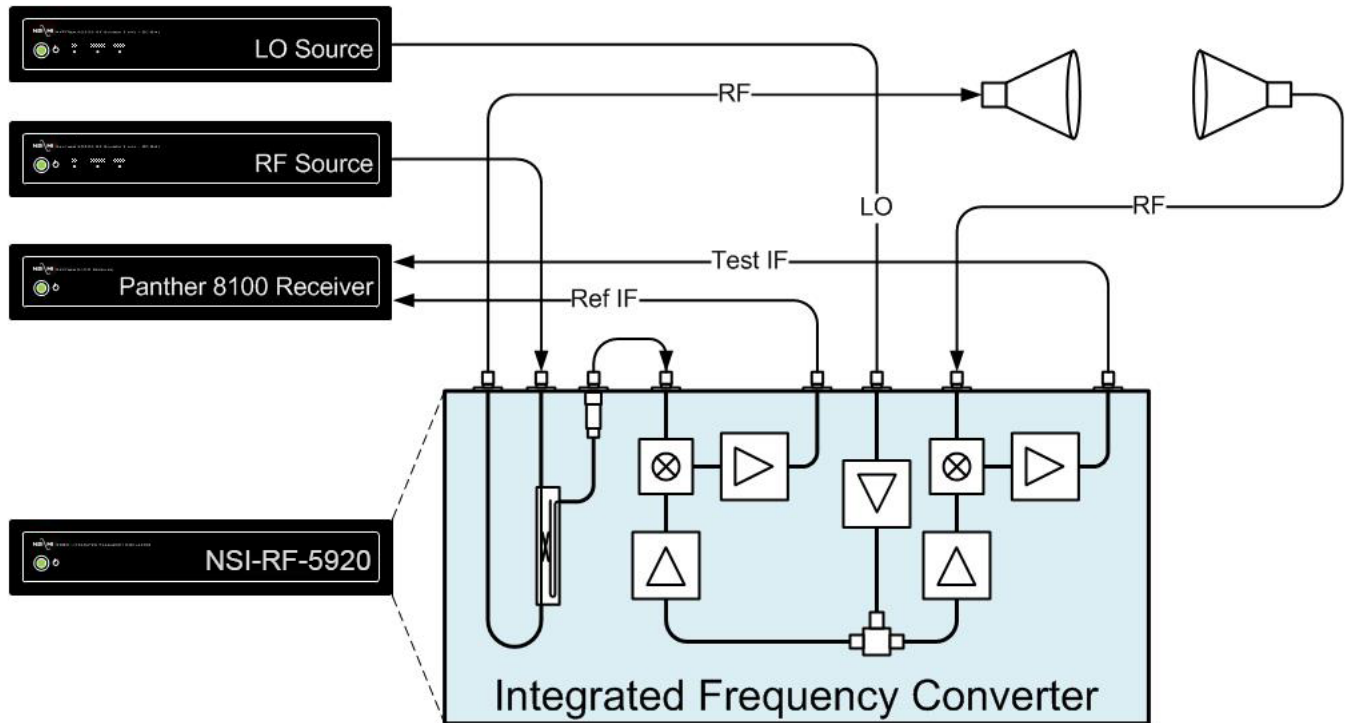
DESCRIPTION

The Integrated Frequency Converter (NSI-RF-5920) provides down-conversion of a test and a reference RF signal to a fixed IF signal (within 0.5 to 20 GHz), using internal mixers. It is used on small near-field and far-field antenna measurement systems where RF cable losses are manageable. It is a low-cost alternative to a Distributed Frequency Converter and covers the entire 100 MHz to 20 GHz range in a single unit.

SPECIFICATIONS

Frequency Range	500 MHz–20 GHz
Nominal IF Frequency	5–20 MHz
LO Input Power	+3 – +7 dBm

NSI-RF-5920 IN TYPICAL APPLICATION



Back Panel of NSI-RF-5920